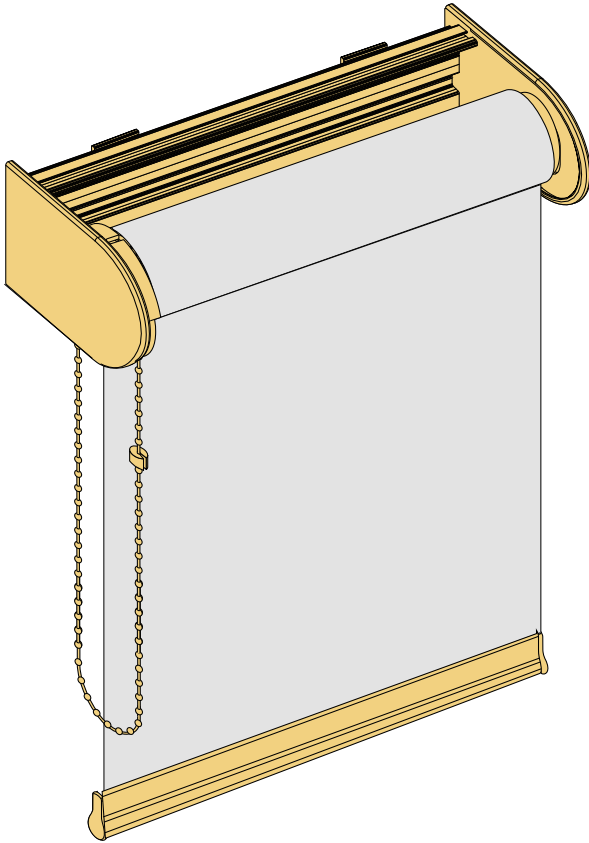


XL - Roller blinds

Roller blinds

XL - Bracket profile



- Customization
- Bracket profile roller blind
- Coupled systems possible (max. width 600 cm, max. area 16 m²)
- Aluminium shaft Ø 52 mm and Ø 65 mm with piping groove
- Operating side right or left possible
- Operating elements in transparent, grey or nickel
- Plastic parts in white or grey
- Powder-coated aluminium end profile (white RAL 9016 or grey RAL 9006)
- Bracket fixation (ceiling or wall)
- Side guidance (rope guidance) available

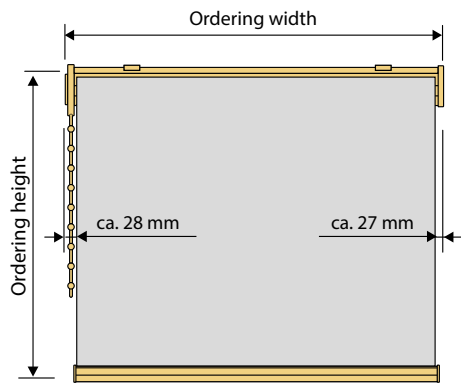
RANGE OF SIZES

min. width	40 cm
max. width	440 cm
max. height	400 cm*
max. area	ca. 16 m ² *
max. weight	12 kg

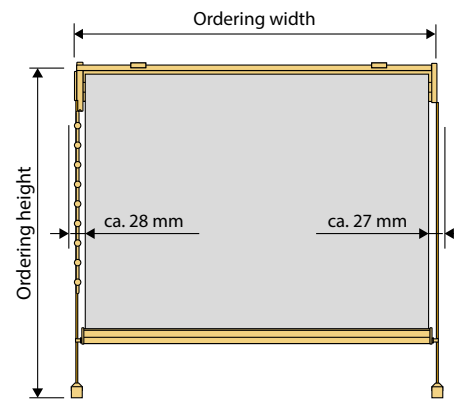
*depending on fabric

Site measuring XL - Bracket profile

Site measuring and fabric deduction



Rope guidance



Assembly types XL - Bracket profile

Wall- / ceiling fixation with holder

