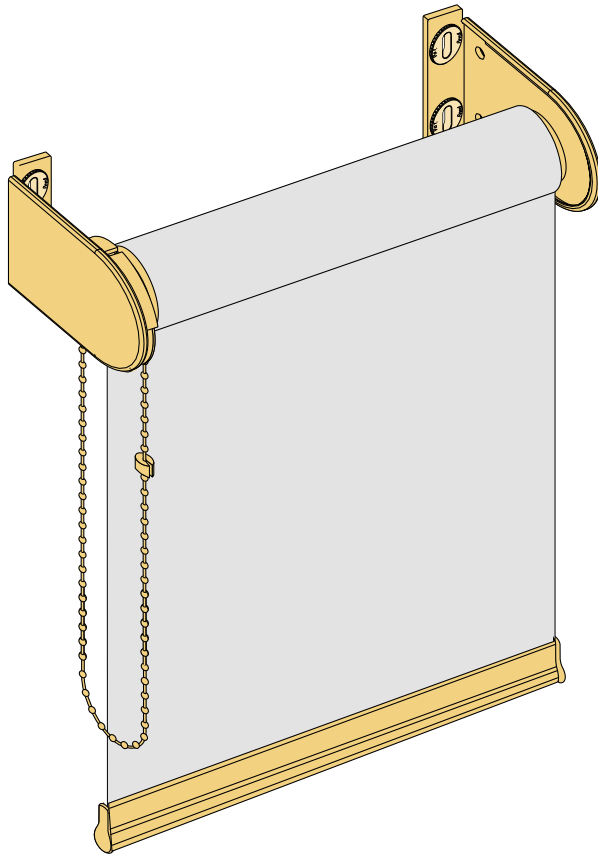


## XL - Basis



- Customization
- Roller blind for holder fixation
- Coupled systems possible (max. width 600 cm, max. area 16 m<sup>2</sup>)
- Aluminium shaft: with piping groove, Ø 52 mm, from 320 cm Ø 65 mm
- Operating side right or left possible
- Operating elements in transparent, grey or nickel
- Plastic parts in white or grey
- Powder-coated aluminium end profile (white RAL 9016 or grey RAL 9006)
- Bracket fixation (ceiling or wall)
- Side guidance (rope guidance) available

### RANGE OF SIZES

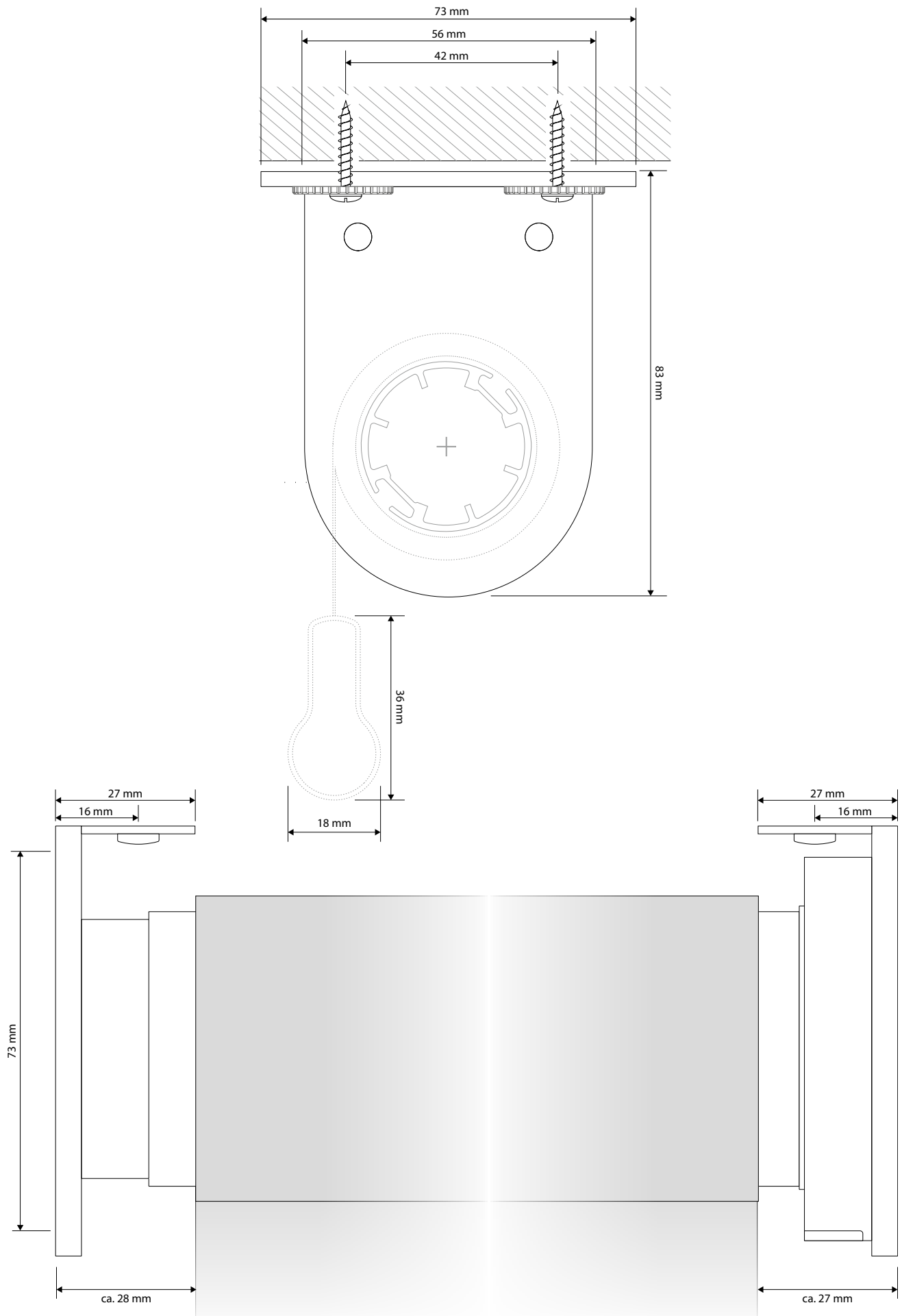
<b>min. width</b>	40 cm
<b>max. width</b>	440 cm
<b>max. height</b>	400 cm*
<b>max. area</b>	ca. 16 m <sup>2</sup> *
<b>max. weight</b>	12 kg

\*depending on fabric

# XL - Roller blinds

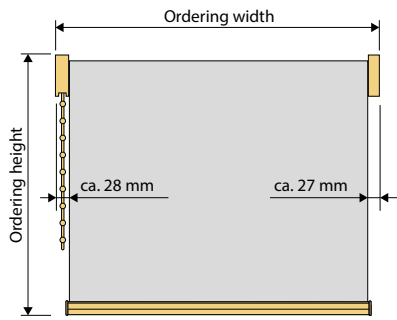
Roller blinds

## XL - Basis ceiling fixation Scale 1:1

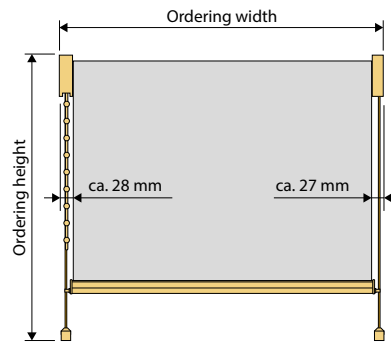


## Site measuring XL - Basis

Site measuring and fabric deduction



Rope guidance



## Assembly types XL - Basis

Wall- / ceiling fixation with holder

