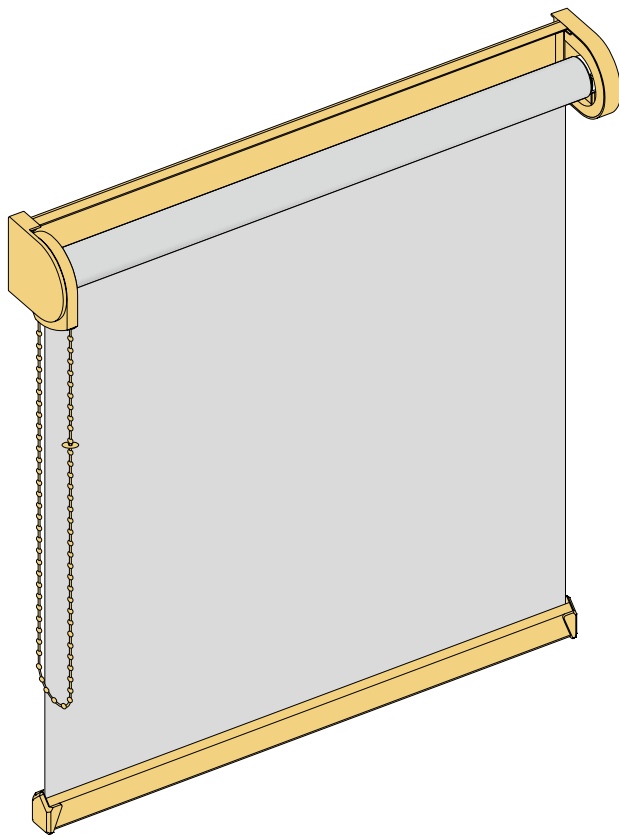


Midi roller blind Bracket profile



- Customization
- Bracket profile roller blind
- Aluminium shaft: to 200 cm width
Ø 27 mm, from 200 cm width Ø 32 mm
- Cover caps and end caps in white, grey or black
- Operating side right or left possible
- Operating elements in transparent, white, grey, black or nickel
- Powder-coated aluminium carrier and end profile (white RAL 9016, grey RAL 9006 or black RAL 9005)
- Clip fixation
- Side guiding not for centre pull (rope guidance)
- Variant with two blinds in one profile available on request

RANGE OF SIZES

Min. width	40 cm
Max. width	220 cm*
Max. height	230 cm*
Max. area	ca. 5 m ²

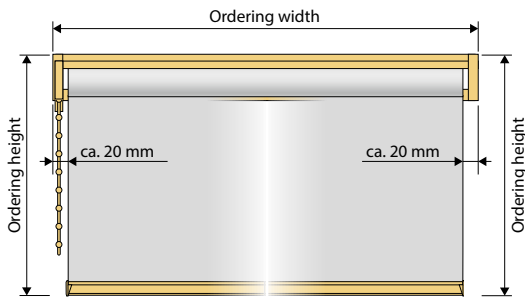
* depending on fabric

Midi roller blind

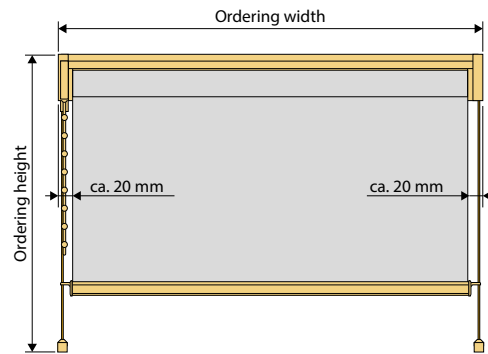
Roller blinds

Site measuring Midi roller blind - bracket profile

Site measuring and fabric deduction

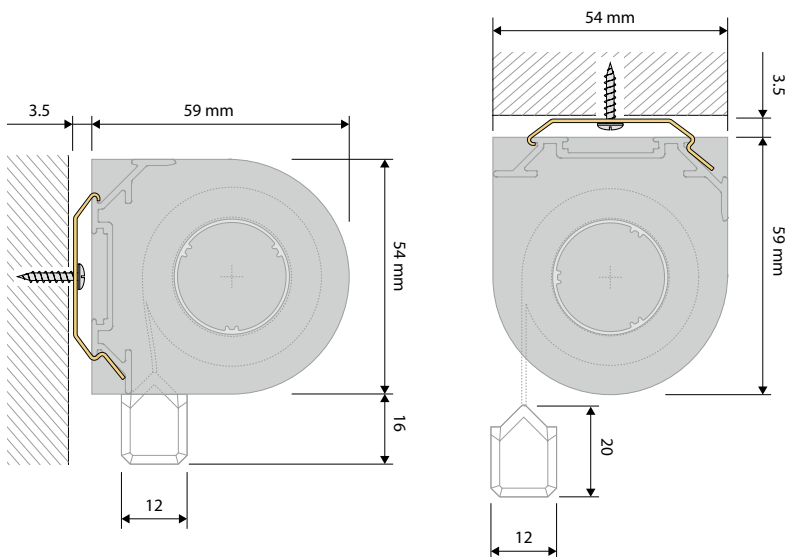


Rope guidance

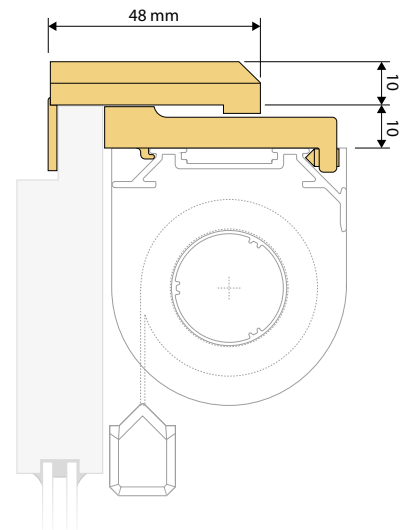


Assembly types Midi roller blind - bracket profile

Wall / ceiling fixation with cropped fixing clip



Window sash fixation with profile block holder



Rope guidance Midi roller blind - bracket profile



Only in connection with chain or motor operation!

