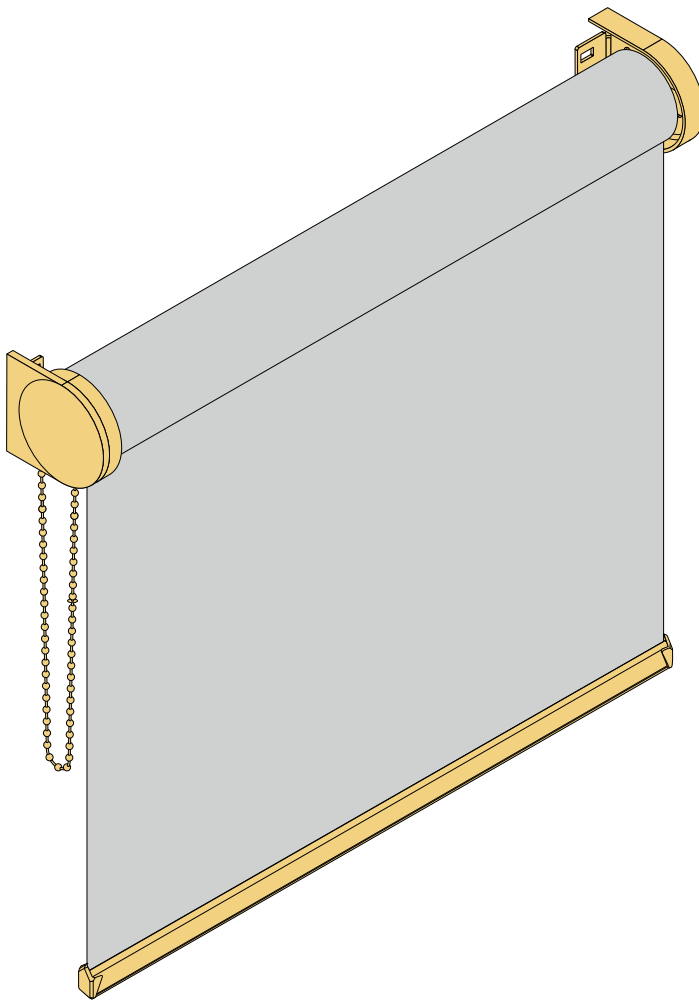


Midi roller blind Basis



- Customization
- Roller blind for holder fixation
- Aluminium shaft:
to 170 cm width Ø 29 mm,
from 170 cm width Ø 38 mm
- Cover caps in white, grey or black
- Operating side right or left possible
- Operating elements in transparent, white,
grey, black or nickel
- Powder-coated aluminium end profile
(white RAL 9016,
grey RAL 9006 or black RAL 9005)
- Holder fixation
- Side guiding not for centre pull (rope
guidance)
- Spring-loaded counter bearing for slight
width compensation (+/- 5mm)

RANGE OF SIZES

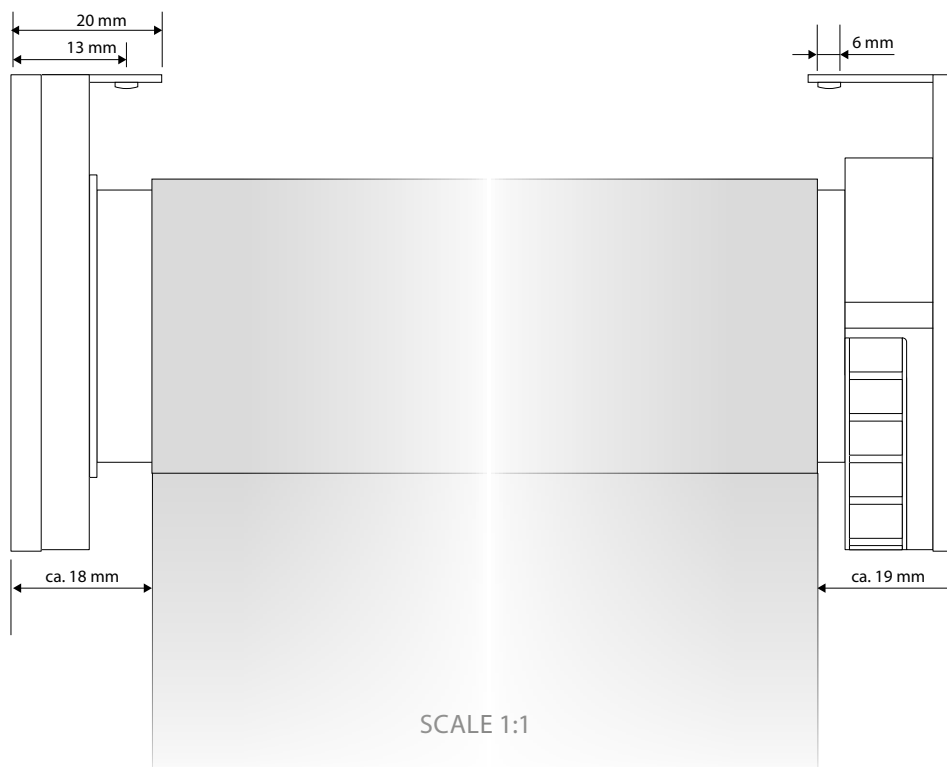
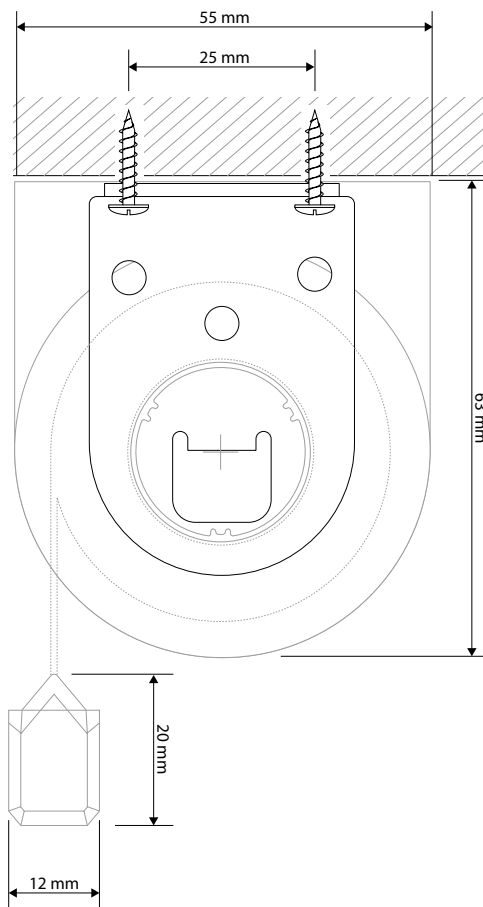
Min. width	40 cm
Max. width	220 cm*
Max. height	230 cm*
Max. area	ca. 5 m ²

* depending on fabric

Midi roller blind

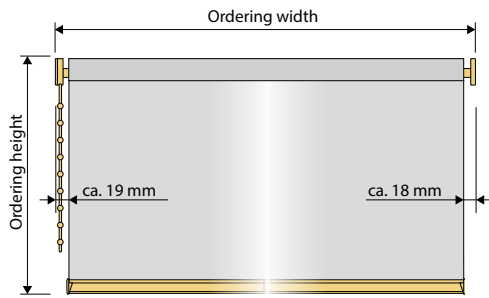
Roller blinds

Midi roller blind Basis - ceiling fixation Scale 1:1

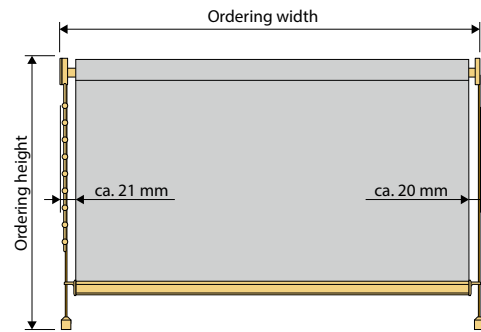


Site measuring Midi roller blind Basis

Site measuring and fabric deduction

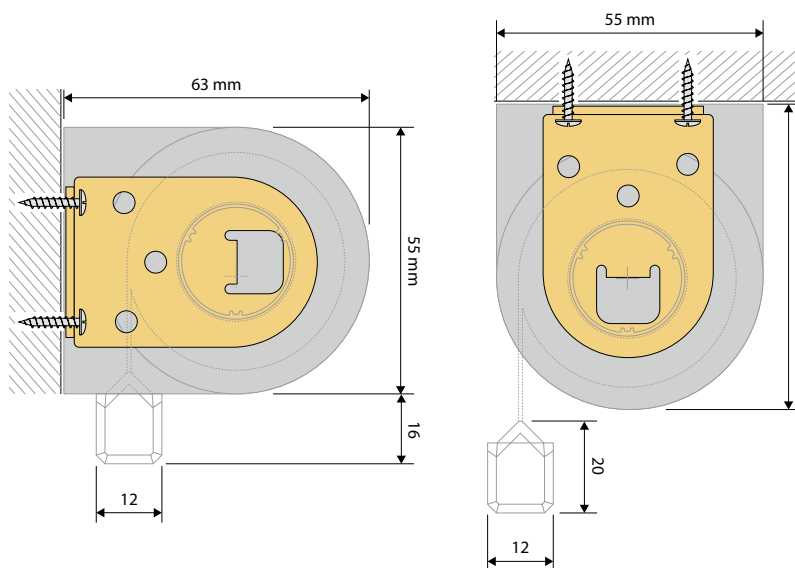


Rope guidance

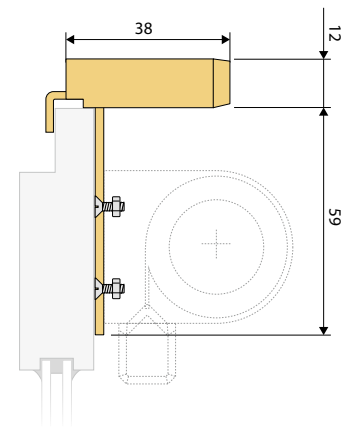


Assembly types Midi roller blind Basis

Wall / ceiling fixation with holder



Window sash fixation with block holder smart oval hole



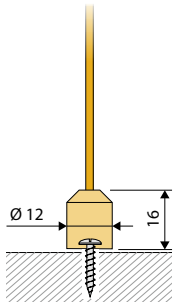
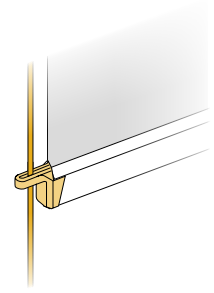
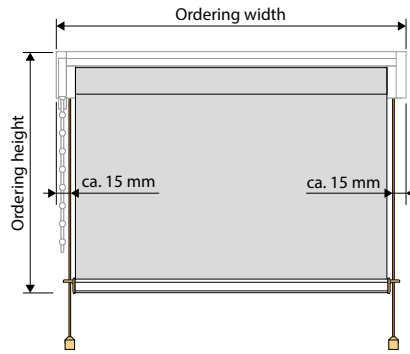
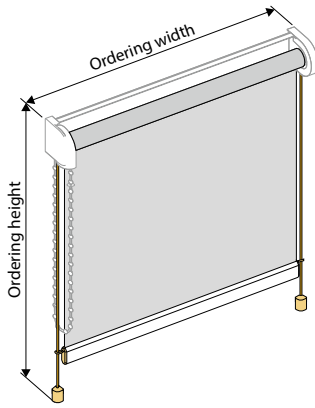
Midi roller blind

Roller blinds

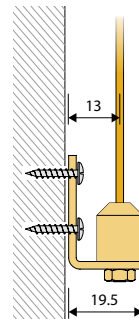
Rope guidance Midi roller blind Basis



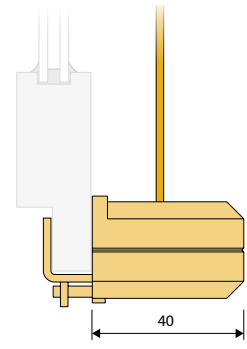
Only in connection with chain or motor operation!



Bottom fixation



Wall fixation with bracket



Window sash fixation with block holder