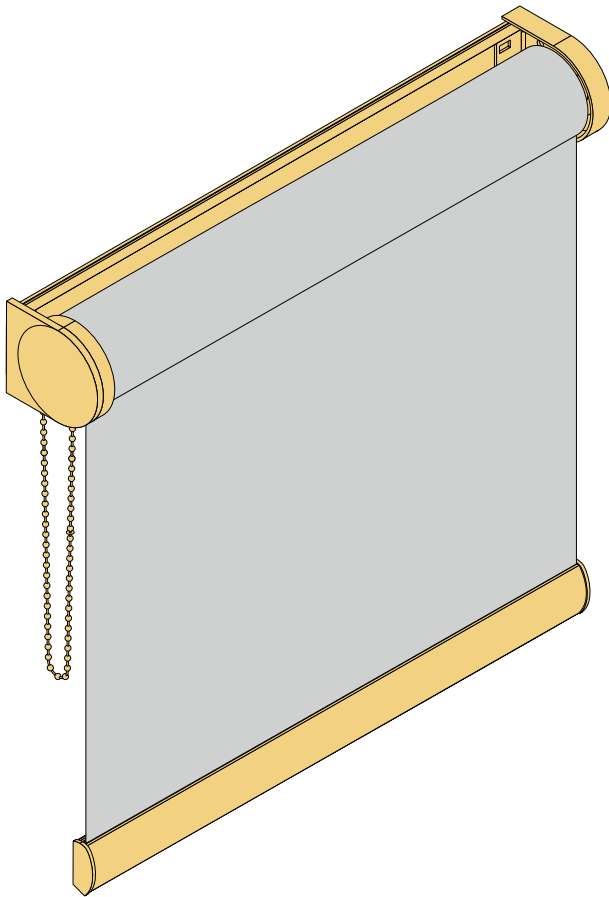


M - Roller blinds

Roller blinds

M - Bracket profile



- Customization
- Bracket profile roller blinds
- Aluminium shaft: Ø 29 mm Adhesived shaft, Ø 36 mm, 43 mm or 44 mm with piping groove
- Operating elements in transparent, white, grey, black or nickel
- Operating side right, left or center pull possible
- Plastic parts in white, grey or black
- Powder-coated aluminium end profile (white RAL 9016, anodised silver or black RAL 9005)
- Clip fixation (wall or ceiling)
- Side guiding not for centre pull (rope guidance)
- Edge possible (Seam opening 3 cm, Weighting rod 10 mm)
- Design brackets and gear drives in stainless steel look are available against surcharge.

RANGE OF SIZES



min. width	40 cm	40 cm
max. width	280 cm	220 cm
max. height	300 cm*	240 cm*
max. area	ca. 7,5 m ²	ca. 5 m ²
max. weight	ca. 5 kg	ca. 2 kg

*depending on fabric



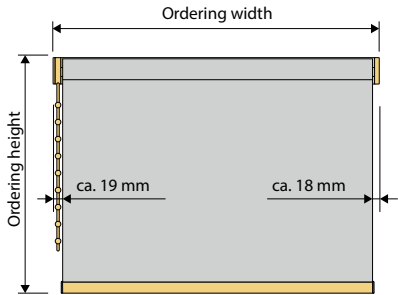
Soft roller blind with centre pull:
The soft roller blind mechanism rolls the fabric up smoothly and stops at the adjusted desired upper end position.

min. width	55 cm
max. width	200 cm
max. height	200 cm*
max. area	ca. 4 m ²
max. weight	ca. 3 kg

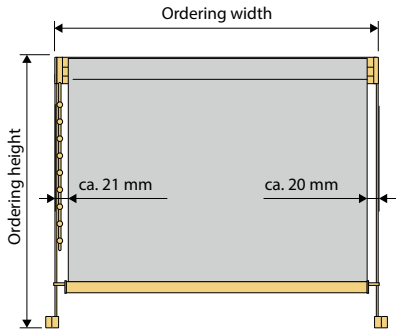
*depending on fabric

Site measuring M - Bracket profile

Site measuring and fabric deduction

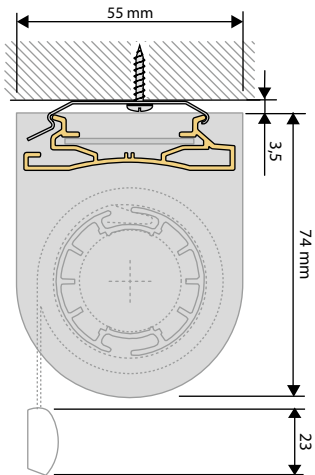
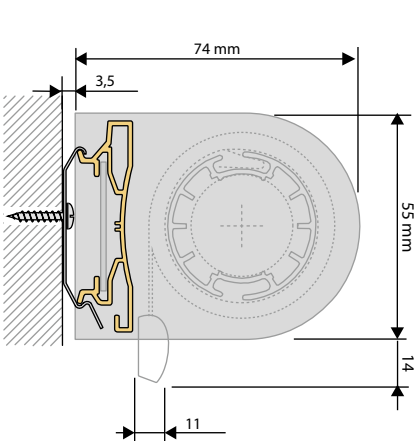


Rope guidance

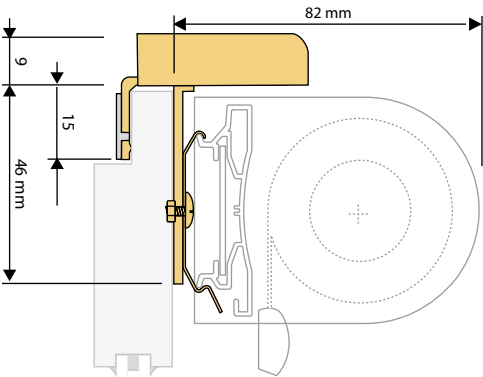


Assembly types M - Bracket profile

Wall / ceiling fixation with cropped fixing clip



Window sash fixation with profile block holder



max. width: 200 cm