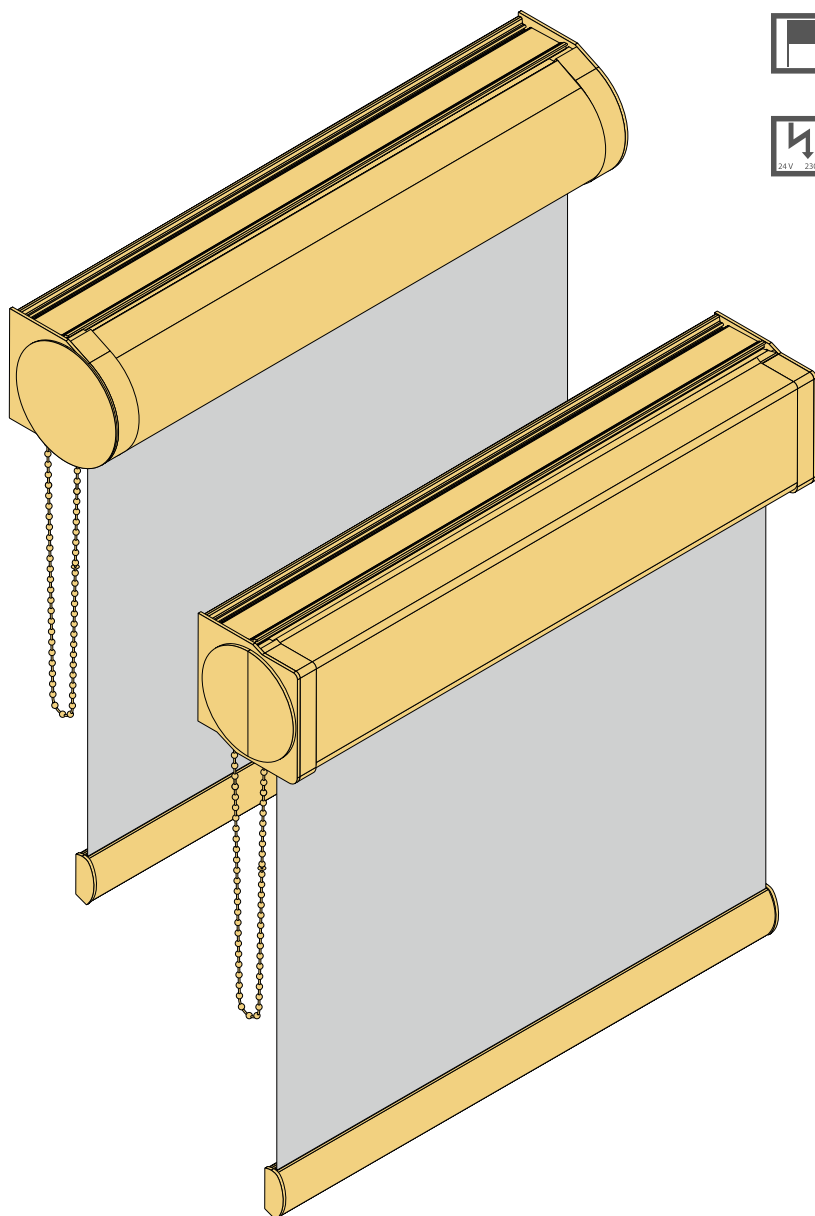


M - Roller blinds

Roller blinds

M - Cassette R 76, E 75



- Customization
- Cassette roller blind
- Aluminium shaft: Ø 29 mm Adhesived shaft, Ø 36 mm, 43 mm or 44 mm with piping groove
- Operating elements in transparent, white, grey, black or nickel
- Operating side right, left or center pull possible
- Plastic parts in white, grey or black
- powder-coated aluminium end profile (white RAL 9016, anodised silver or black RAL 9005)
- Clip fixation (wall or ceiling)
- Side guiding (Tensioning wire and profile guidance) available

RANGE OF SIZES



min. width	40 cm	55 cm
max. width	280 cm	200 cm
max. height	300 cm*	200 cm*
max. area	ca. 7,5 m ²	ca. 4 m ²
max. weight	ca. 5 kg	ca. 3 kg

*depending on fabric

Soft roller blind with centre pull:
The soft roller blind mechanism rolls the fabric up smoothly and stops at the adjusted desired upper end position.



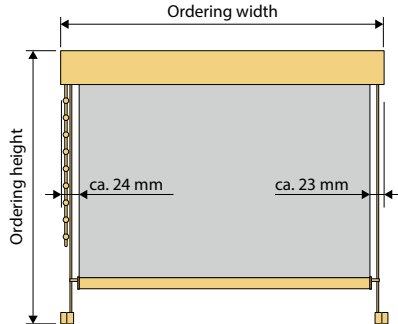
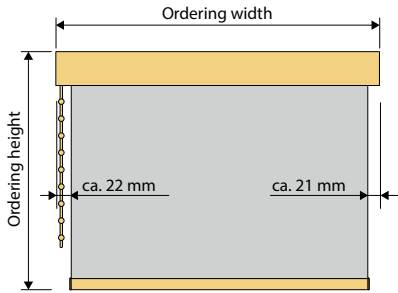
min. width	40 cm	40 cm
max. width	280 cm	220 cm
max. height	220 cm*	240 cm*
max. area	ca. 5 m ²	ca. 5 m ²
max. weight	ca. 5 kg	ca. 2 kg

*depending on fabric

Site measuring M - Cassette R 76, E 75

Site measuring and fabric deduction

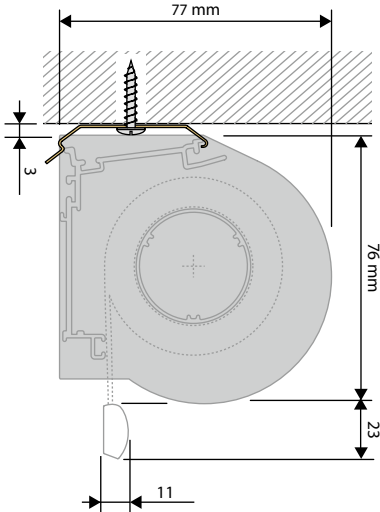
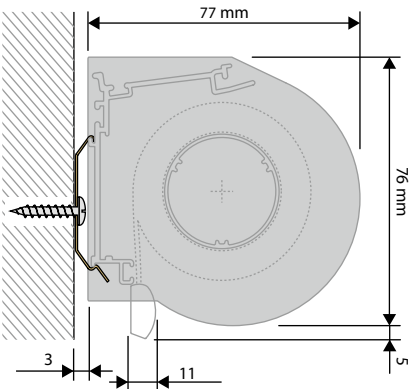
Rope guidance



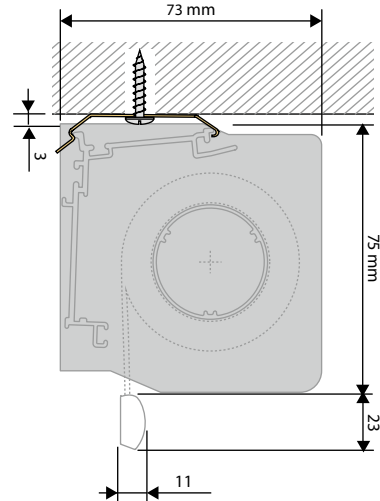
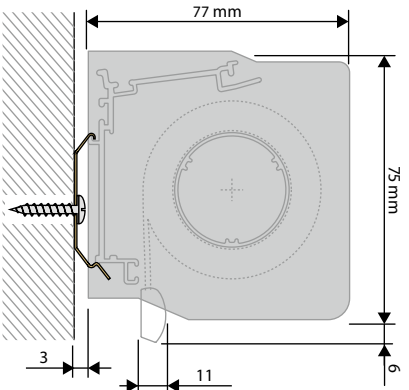
Assembly types M - Cassette R 76, E 75

Wall- / ceiling fixation with fixing bracket

Round cassette R 76



Square cassette E 75

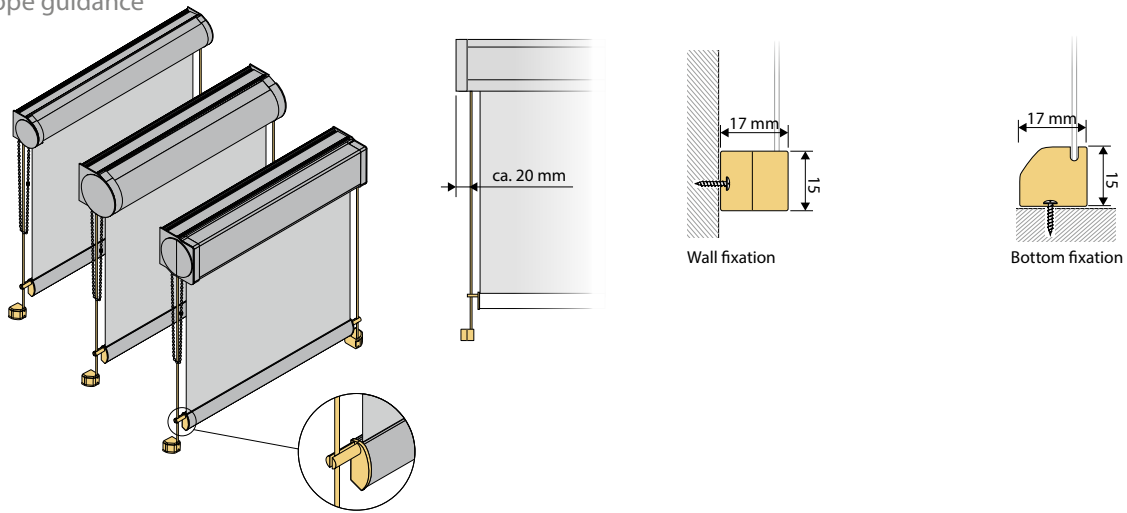


M - Roller blinds

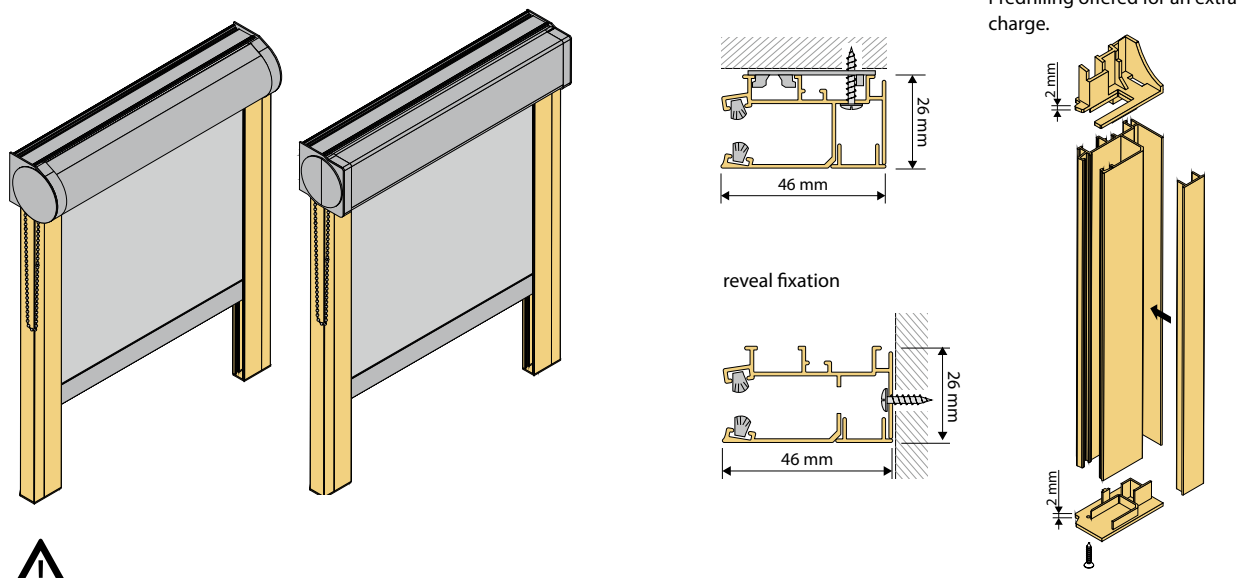
Roller blinds

Rope guidance, Profile guidance

Rope guidance



Profile guidance for Cassette R76, E75



Standard: The cassettes R 75 and E 75 will be manufactured with a profile guidance (46 mm) and a bottom bar (13.5 x 30 mm).