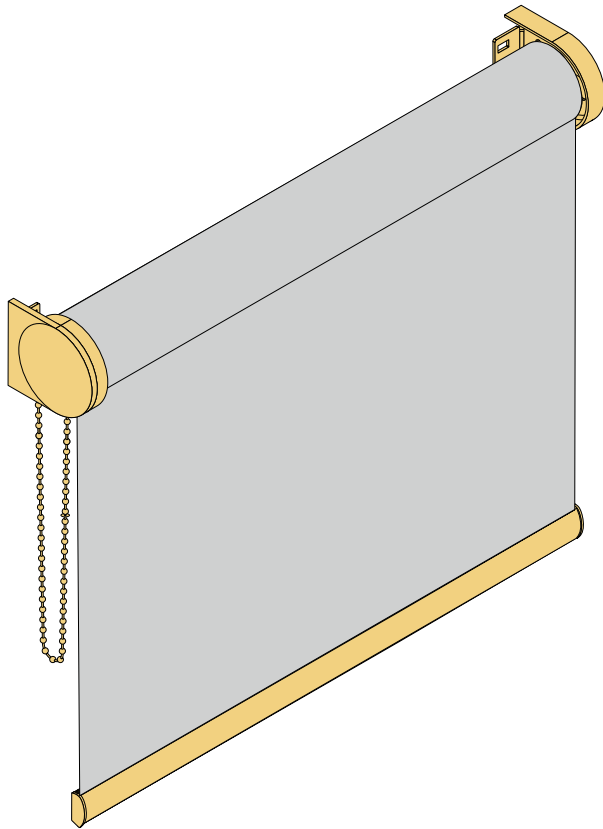


M - Basis



- Customization
- Roller blind for holder fixation
- Aluminium shaft: Ø 29 mm Adhesived shaft, Ø 36mm, 43mm or 44 mm with piping groove
- Operating elements in transparent, white, grey, black or nickel
- Operating side right, left or center pull possible
- Plastic parts in white, grey or black
- Powder-coated aluminium end profile (white RAL 9016, anodised silver or black RAL 9005)
- Holder fixation
- Side guiding not for centre pull (rope guidance)
- Spring-loaded counter bearing for slight width compensation (+/- 5mm)
- Edge possible (Seam opening 3 cm, Weighting rod 10 mm)

RANGE OF SIZES



min. width	40 cm	40 cm
max. width	280 cm	220 cm
max. height	300 cm*	240 cm*
max. area	ca. 7,5 m ²	ca. 5 m ²
max. weight	ca. 5 kg	ca. 2 kg

*depending on fabric



Soft roller blind with centre pull:

The soft roller blind mechanism rolls the fabric up smoothly and stops at the adjusted desired upper end position.

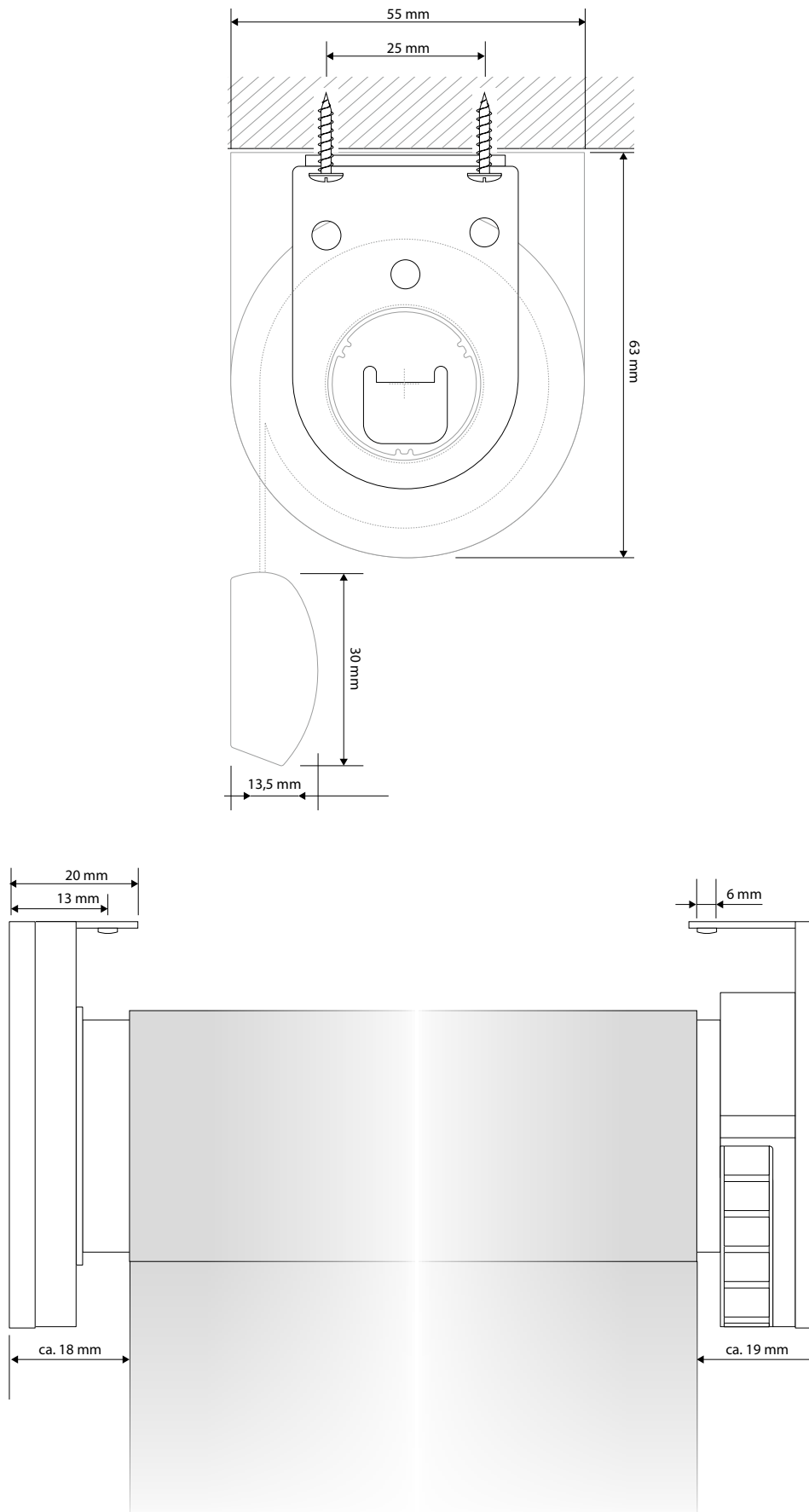
min. width	55 cm
max. width	200 cm
max. height	200 cm*
max. area	ca. 4 m ²
max. weight	ca. 3 kg

*depending on fabric

M - Roller blinds

Roller blinds

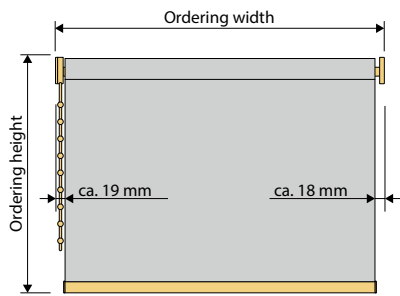
M - Basis ceiling fixation Scale 1:1



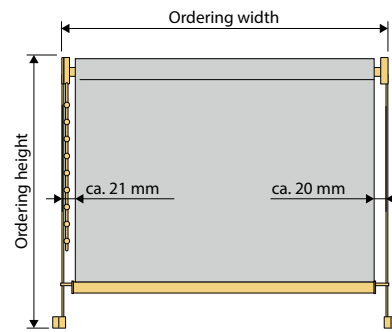
M 1:1

Site measuring M - Basis

Site measuring and fabric deduction

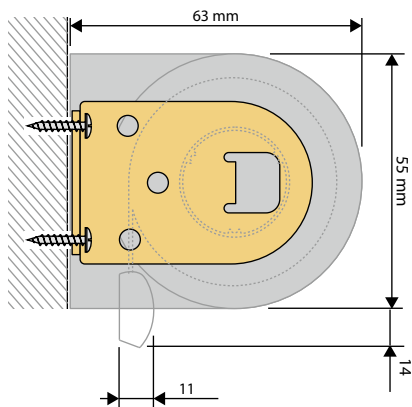


Rope guidance

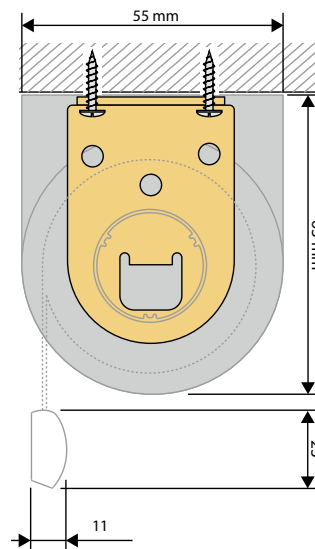
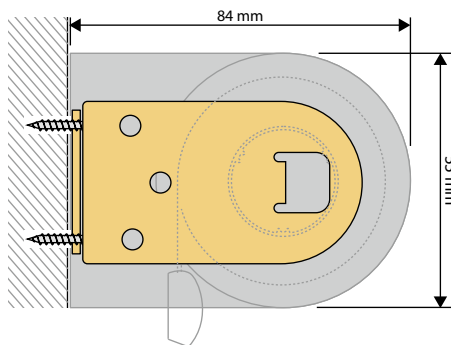


Assembly types M - Basis

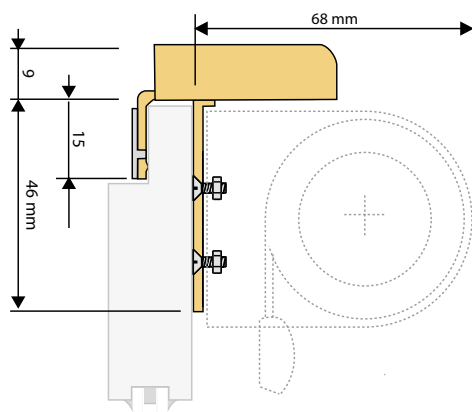
Wall / ceiling fixation with holder



Brackets are used optionally for roller blinds with big height and bigger fabric thicknesses.



Window sash fixation with profile block holder



max. width: 200 cm



Please also order the counterbearing 100690 when re-ordering for a mounting with block holders.