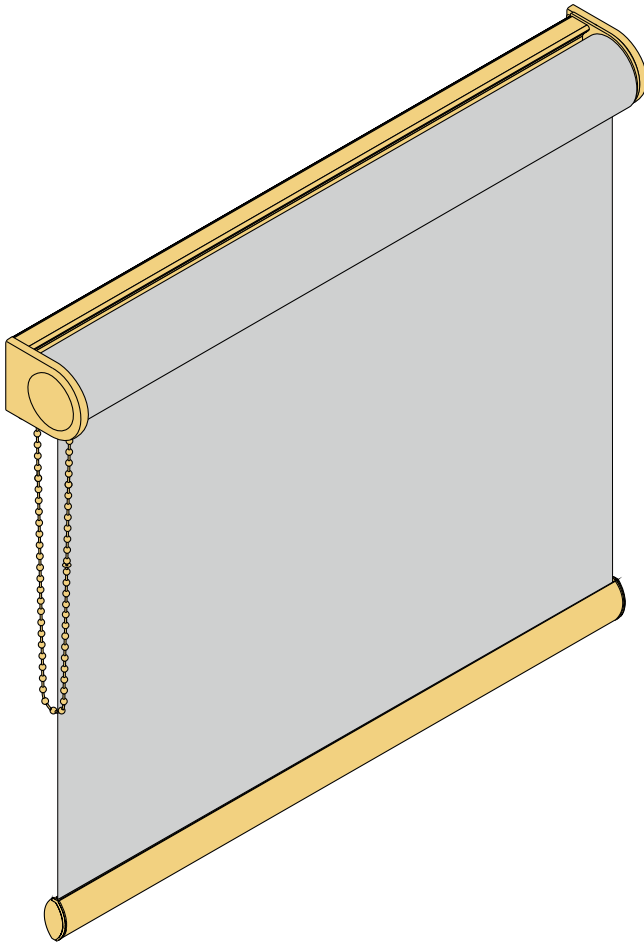


L - Roller blinds

Roller blinds

L - Bracket profile



- Customization
- Bracket profile roller blinds
- Aluminium shaft: Ø 31 mm , Ø 37 mm and Ø 51 mm with piping groove
- Standard: Metal brackets
- Operating elements in transparent, white or grey
- Operating side right or left possible
- Plastic parts in white or grey
- powder-coated aluminum profile (white RAL 9016 or anodised silver)
- Clip fixation (wall or ceiling)
- Side guidance (rope guidance) available
- Design brackets and gear drives in stainless steel look are available against surcharge.

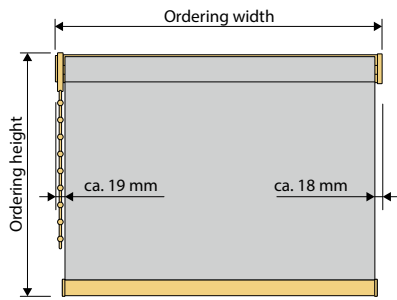
RANGE OF SIZES

min. width	40 cm
max. width	300 cm
max. height	300 cm*
max. area	ca. 8,4 m ²

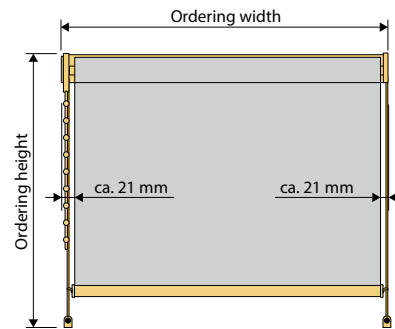
*depending on fabric

Site measuring L - Bracket profile

Site measuring and fabric deduction



Rope guidance



Assembly types L - Bracket profile

Wall / ceiling fixation with fixing clip cropped

