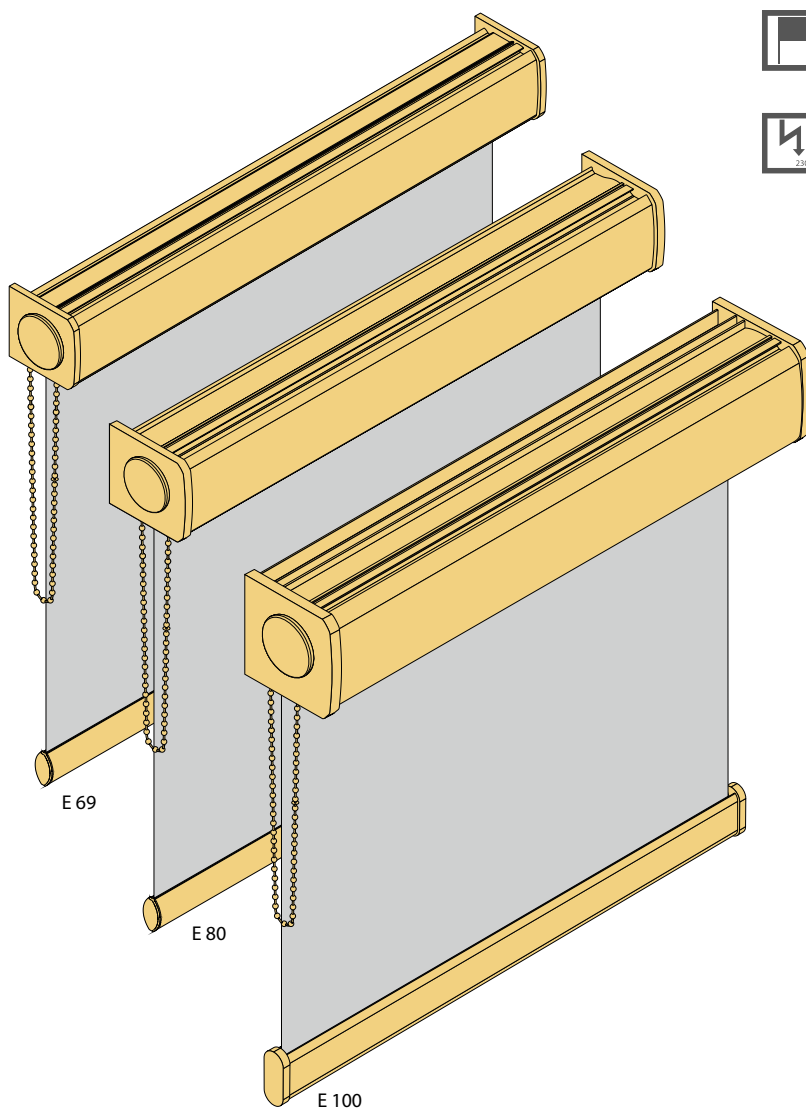


L - Roller blinds

Roller blinds

L - Cassette E 69, E 80, E 100



- Customization
- Cassette roller blind
- Aluminium shaft: Ø 31 mm, Ø 37 mm and Ø 50 mm with piping groove
- Operating elements in transparent, grey, white or nickel
- Operating side right or left possible
- Plastic parts in white, grey
- powder-coated aluminum profile (white RAL 9016 or anodised silver)
- Bracket fixation
- Side guiding (Tensioning wire and profile guidance) available

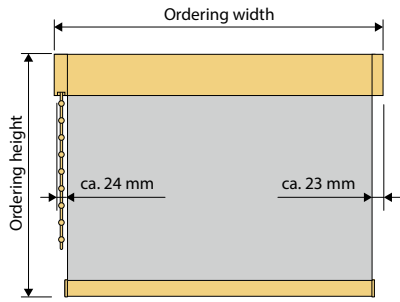
RANGE OF SIZES

E 69	
min. width	40 cm
max. width	260 cm
max. height	260 cm*
max. area	ca. 6,8 m ²
E 80	
min. width	40 cm
max. width	300 cm
max. height	300 cm*
max. area	ca. 8,4 m ²
E 100	
min. width	40 cm
max. width	360 cm
max. height	340 cm*
max. area	ca. 12,2 m ²

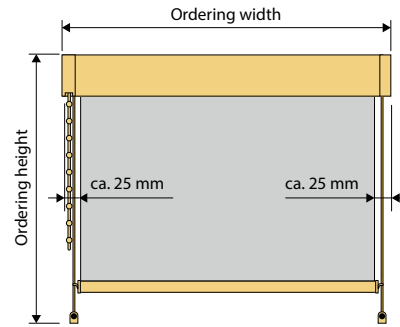
*depending on fabric

Site measuring L - Cassette E 69, E 80, E 100

Site measuring and fabric deduction

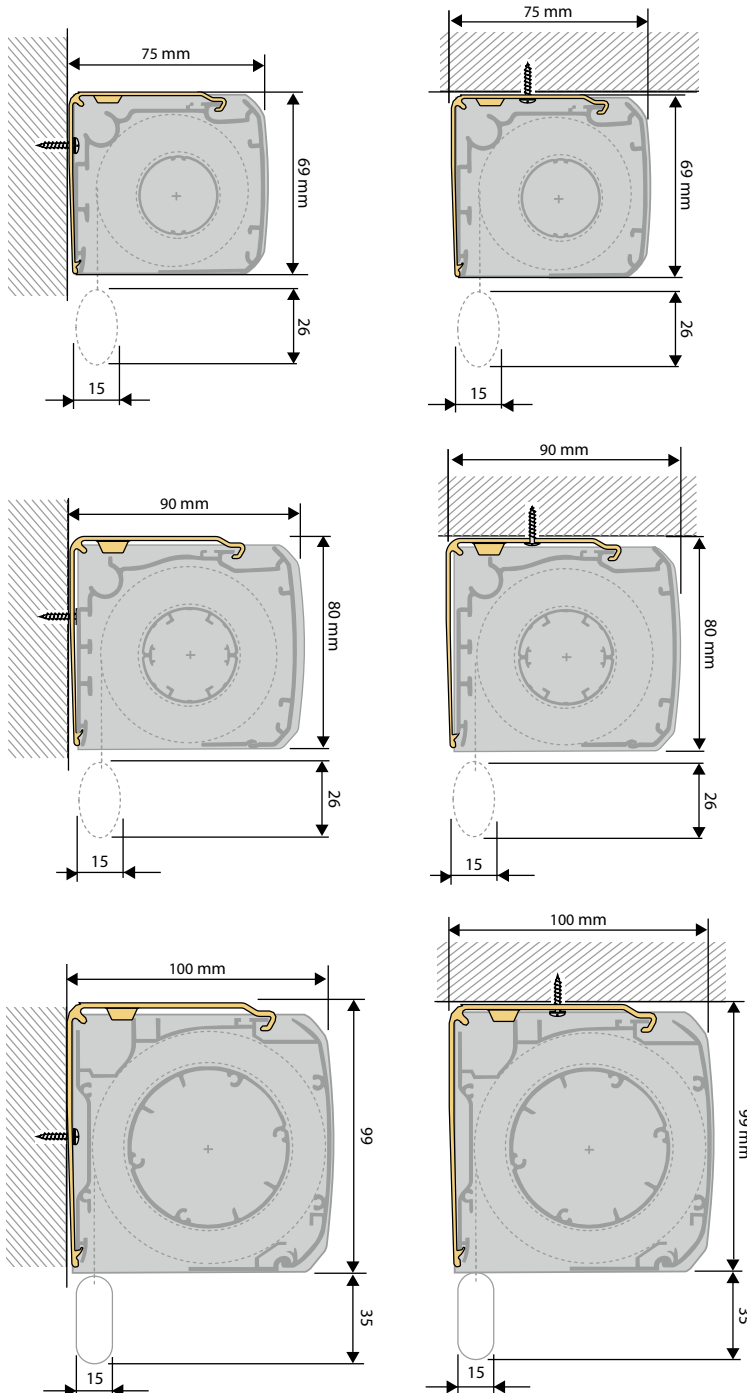


Rope guidance



Assembly types L - Cassette E 69, E 80, E 100

Wall- / ceiling fixation with bracket

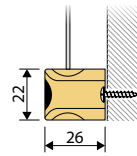
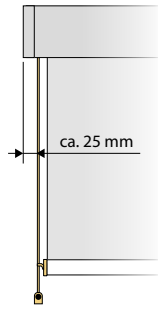
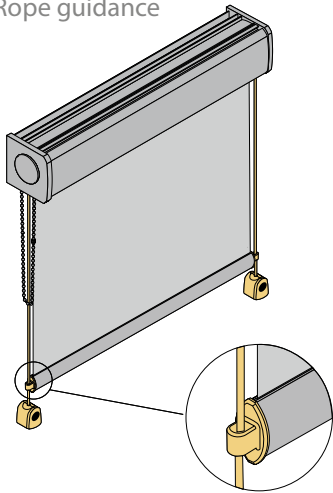


L - Roller blinds

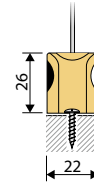
Roller blinds

Profile guidance L - Cassette E 69, E 80, E 100

Rope guidance

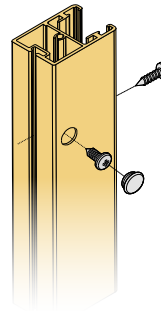
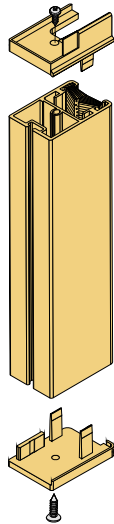
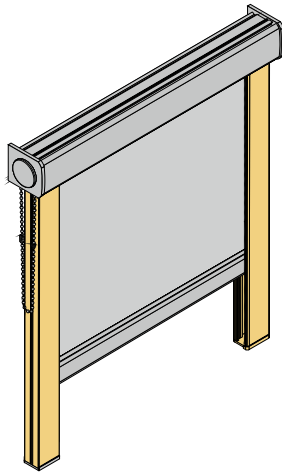


Wall fixation



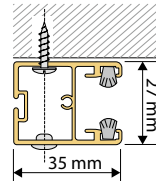
Bottom fixation

Profile guidance for cassette E 69, E80

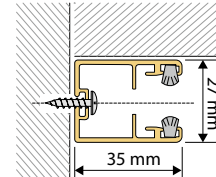


Predrilling offered for an extra charge.

Wall fixation

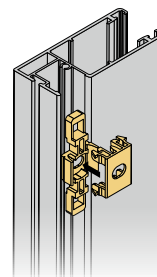
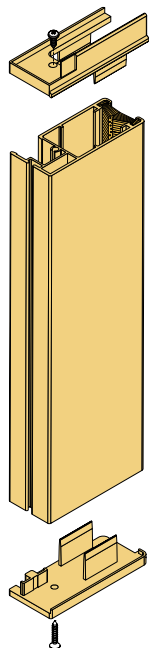
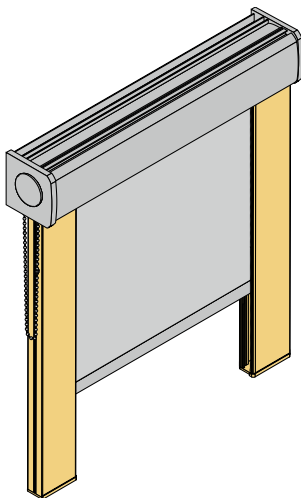


Niche fixation



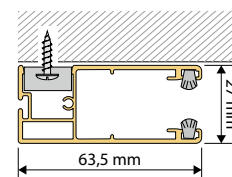
Brush (standard)

Profile guidance for cassette E 100

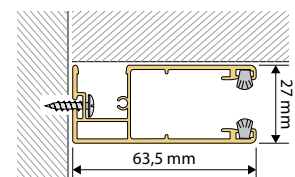


Rear view:
Fixation with clip

Wall fixation



Niche fixation



Brush (standard)

Predrilling offered for an extra charge.